



## Vert-X 51 - 24V / PWM

### Applications

- Sensor for 360° marine propulsions
- Direction indicator device
- Agricultural machines
- Special purpose vehicles

### Features

- Compact dimensions
- Contactless measuring method
- Long life
- High accuracy of measurement
- Applications under adverse ambient conditions possible (humidity, dampness, dust, vibrations etc.)
- Full resolution and accuracy at programmed electrical angle

Sensor principle		MH-C	MH-C2
<b>Electrical data</b>			
Measuring range	°	0 ... 360	-
Indep. linearity	% of meas. range	±0.3	-
Max. hysteresis	°	0.1	-
Resolution	bit	12	-
Max. repeatability	°	0.1	-
Sample rate fast mode	kHz	(5)	-
Sample rate slow mode	kHz	1.66	-
System propagation delay fast mode	µs	(800)	-
System propagation delay slow mode	µs	4600	-
Max. temperature coefficient of the output signal	ppm/°K	25	-
MTTFd / MTBF	years	240 / 240	-
Power supply voltage	VDC	8 ... 35	-
Current consumption without load (typ.) fast mode	mA	(19)	-
Current consumption without load (typ.) slow mode	mA	14	-
Min. ohmic load at output	kOhm	10	-
Max. capacitive load at output	nF	1	-
PWM frequency	Hz	855 (±20%)	-
Reverse polarity protection of power supply		yes	-
Electrical connection (s = shielded)		Cable 3pole, s	-
Cross section of single wires	mm <sup>2</sup>	0.56 (AWG20)	-
Redundancy feasible	yes	-	-
Electrical connection redundant (s = shielded)		Cable 6pole, s	-
Cross section of single wires redundant	mm <sup>2</sup>	0.56 (AWG20)	-
<b>Mechanical data</b>			
Mechanical range	°	360 (continuous)	-
Protection class		IP54 / IP67	-
Max. starting torque at specified protection class	Ncm	0.5 / 6	-
Max. rotating speed	rpm	6000	-
Min. life	movements	200 Mio.	-
Max. permitted axial shaft load	N	45	-
Max. permitted radial shaft load	N	45	-
Operating & storage temperature	°C	-40 ... +85	-
IEC 68-2-6 Vibration (Amax = 0.75mm, f = 5 ... 2000 Hz)	g	20	-
IEC 68-2-27 Shock	g	50	-
<b>Standards</b>			
EN 55022 class B, Emission radiated (30... 230 MHz)	dB(µV/m)	max. 30	-
EN 55022 class B, Emission radiated (230...1000MHz)	dB(µV/m)	max. 37	-
EN 61000-4-2, ESD (contact discharge / air discharge)	kV	±4 / ±8	-
EN 61000-4-3, Immission HF radiated (80... 1000 MHz)	V/m	30	-
EN 61000-4-4, Burst (on all lines)	kV	±1	-
EN 61000-4-5, Surge (lines to ground)	kV	±1	-
EN 61000-4-6, Immission HF conducted (0.15...80MHz)	Vemk	10	-
EN 61000-4-8, Immission magnetic field (50Hz)	A/m	30	-
IEC 60393-1 Insulation resistance (500VDC, 1bar, 2s)	GOhm	20	-
IEC 60393-1 Dielectric strength (VAC, 50Hz, 1min, 1bar)	kV	1	-

Errors and omissions excepted. Subject to change without notice. / State: 31.10.11

Contelec AG  
 Portstrasse 38  
 CH-2503 Biel/Bienne  
 Phone +41 (0)32 3665600  
 Telefax +41 (0)32 3665604  
 sales@contelec.ch

**CONTELEC**  
 A company of the Siedle-Group



**Vert-X 51 - 24V / PWM**  
**Ordering code**

										<b>Output characteristics</b>			
										Positive gradient CW	Standard	1	
										Positive gradient CCW	Optional	2	
										Redundant, positive gradient CW	Optional	3	
										Redundant, positive gradient CCW	Optional	4	
										Redundant, crossed signal curves	Optional	5	
										<b>Output signal</b>			
										PWM	Standard	4	
										<b>Power supply voltage</b>			
										24VDC	Standard	1	
										<b>Electrical connection</b>			
										4	Standard	Round cable 3pole	
										6	Optional	Round cable 6pole	
										9	Optional	Special cable	
										<b>Length of cable</b>			
										02	Standard	1.0m	
										06	Optional	3.0m	
										10	Optional	5.0m	
										99	Optional	Special cable	
<b>Vert-X</b>	<b>5</b>	<b>1</b>	<b>1</b>	<b>1</b>	<b>7</b>	<b>3</b>	<b>6</b>	<b>1</b>	<b>4</b>	<b>1</b>	<b>4</b>	<b>0</b>	<b>2</b>
										<b>Electrical angle</b>			
										36	Standard	Electrical angle 360°	
										xx	Optional	03 to 35; Declaration in 10° steps	
										99	Optional	Special angle	
										<b>Sensor principle</b>			
										7	MH-C		
										<b>Mechanical version</b>			
										5111	Standard	Servo mount size 20 ; 6 mm shaft ; IP54	
										5151	Standard	Servo mount size 20 ; 6 mm shaft ; IP67	
										5199	Optional	Special housing ; Special shaft	

	MH-C	MH-C2
Custom shaft design	X	-
Custom modification of the housing	X	-
Custom cable	X	-
Sample rate in fast mode	X	-
Switch functions TTL (max. 2)	X	-
Special characteristic curve	-	-
Special electrical angle within 30° to 360° (ex factory)	X	-
Electrical angle programmable (Software)	-	-
Start & end point settable (Additional wires)	-	-
Sense of rotation CW/CCW settable / programmable (Additional wires or Software)	-	-
Index point settable / programmable (Additional wires or Software)	-	-

**Options (on request)**

Errors and omissions excepted. Subject to change without notice. / State: 31.10.11

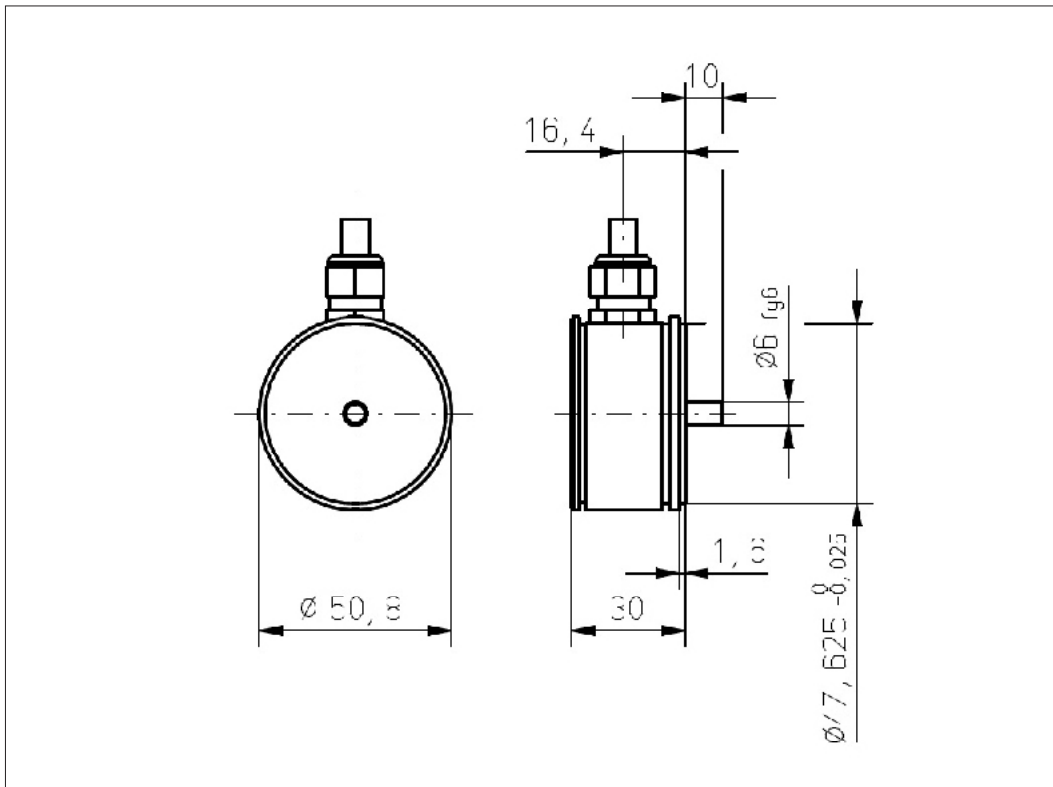
Contelec AG  
 Portstrasse 38  
 CH-2503 Biel/Bienne  
 Phone +41 (0)32 3665600  
 Telefax +41 (0)32 3665604  
 sales@contelec.ch



### Vert-X 51

#### Accessoires (incl.)

- 3x Fixation clamp
- 3x Slotted cylinder head screw M3x8



Errors and omissions excepted. Subject to change without notice. / State: 31.10.11

Contelec AG  
 Portstrasse 38  
 CH-2503 Biel/Bienne  
 Phone +41 (0)32 3665600  
 Telefax +41 (0)32 3665604  
 sales@contelec.ch

**CONTELEC**  
 A company of the Siedle-Group