



Vert-X 79 - 24V / 0.1 - 10V

Applications

- Heavy load transporter
- Construction machines
- Forest machines
- Special purpose vehicles

Features general

- Very robust design
- Contactless measuring method
- Long life
- High accuracy of measurement
- Applications under adverse ambient conditions possible (humidity, dampness, dust, vibrations etc.)
- Developed according to the principles of functional safety

Features MH-C

- Linearity of $\pm 0.3\%$
- Resolution of 12bit
- Redundancy possible
- Lower price than MH-C2

Features MH-C2

- Linearity of $\pm 0.1\%$
- Resolution of 14bit
- Index point(s), sense of rotation and angle settable resp. programmable by customer (optional)

Errors and omissions excepted. Subject to change without notice. / State: 29.04.16

Contelec AG
 Portstrasse 38
 CH-2503 Biel/Bienne
 Phone +41 (0)32 3665600
 Telefax +41 (0)32 3665604
 sales@contelec.ch

CONTELEC
 A company of the Siedle-Group

Sensor principle		MH-C	MH-C2
Electrical data			
Measuring range	°	0 ... 360	0 ... 360
Indep. linearity	% of meas. range	± 0.3	± 0.1
Max. hysteresis	°	0.1	0.1
Resolution	bit	12	14
Max. repeatability	°	0.1	0.1
Sample rate fast mode	kHz	(5)	(2)
Sample rate slow mode	kHz	1.66	0.5
System propagation delay fast mode	μs	(800)	(800)
System propagation delay slow mode	μs	4600	2500
Max. temperature coefficient of the output signal	ppm/K	100	100
MTTFd / MTBF	years	185 / 185	147 / 147
Power supply voltage	VDC	10.8 ... 35	11 ... 35
Current consumption without load (typ.) fast mode	mA	(19)	(20)
Current consumption without load (typ.) slow mode	mA	14	15
Min. ohmic load at output	kOhm	10	10
Max. capacitive load at output	nF	100	100
Reverse polarity protection of power supply		yes	yes
Electrical connection		Connector M12-m	Connector M12-m
Redundancy feasible		yes	yes
Electrical connection redundant		Connector M12-m	Connector M12-m
Mechanical data			
Mechanical range	°	360 (continuous)	360 (continuous)
Protection class		IP68 / IP69K	IP68 / IP69K
Max. starting torque at specified protection class	Ncm	5	5
Max. rotating speed	rpm	3000	3000
Min. life	movements	360 Mio.	360 Mio.
Max. permitted axial shaft load	N	300	300
Max. permitted radial shaft load	N	300	300
Operating & storage temperature	°C	-40 ... +85	-40 ... +85
EN 60068-2-6 Vibration (Amax = 0.75mm, f = 5...2000Hz)	g	20	20
EN 60068-2-27 Shock	g	50	50
Standards			
EN 55022 class B, Emission radiated (30...230MHz)	dB($\mu\text{V}/\text{m}$)	max. 30	max. 30
EN 55022 class B, Emission radiated (230...1000MHz)	dB($\mu\text{V}/\text{m}$)	max. 37	max. 37
EN 55022 class B, Emission conducted (0.15...0.5MHz)	dB(μV)	max. 56 ... 46	max. 56 ... 46
EN 55022 class B, Emission conducted (0.5...5MHz)	dB(μV)	max. 46	max. 46
EN 55022 class B, Emission conducted (5...30MHz)	dB(μV)	max. 50	max. 50
EN 61000-4-2, ESD (contact discharge / air discharge)	kV	$\pm 4 / \pm 8$	$\pm 4 / \pm 8$
EN 61000-4-3, Immission HF radiated (80...1000MHz/1.4...2.7GHz)	V/m	30	30
EN 61000-4-4, Burst (on all lines)	kV	± 1	± 1
EN 61000-4-5, Surge (lines to ground)	kV	± 1	± 1
EN 61000-4-6, Immission HF conducted (0.15...80MHz)	Vemk	10	10
EN 61000-4-8, Immission magnetic field (50Hz)	A/m	300	300
EN 60393-1 Insulation resistance (500VDC, 1bar, 2s)	GOhm	20	20
EN 60393-1 Dielectric strength (VAC, 50Hz, 1min, 1bar)	kV	1	1



Vert-X 79 - 24V / 0.1 - 10V Ordering code

*** Switch outputs**
Please define number (max. 127), position and width of the pulses.

Output characteristics	
Positive gradient CW	Standard 1
Positive gradient CCW	Optional 2
Redundant, positive gradient CW	Optional 3
Redundant, positive gradient CCW	Optional 4
Redundant, crossed signal curves	Optional 5
Positive gradient CW with 1 switch output*	Optional A
Positive gradient CCW with 1 switch output*	Optional B
Positive gradient CW with 2 switch outputs*	Optional C
Positive gradient CCW with 2 switch outputs*	Optional D
Sense of rotation settable	Optional E
Zero point & sense of rotation settable	Optional F
Middle point & sense of rotation settable	Optional G
Start + end point & sense of rotation settable	Optional H
Programmable with Vert-X EasyAdapt	Optional P

Output signal		Electrical connection	
0,1 ... 10VDC	Standard 1	S	Standard Connector

Power supply voltage		Definition of the connector	
24VDC	Standard 1	14	Standard 1x Connector 4pole
		15	Optional 1x Connector 5pole
		18	Optional 1x Connector 8pole

Vert-X 7 9 7 2 | 7 3 6 | 1 1 1 | S 1 4

Electrical angle	
36	Standard Electrical angle 360°
xx	Optional 03 to 35 ; Declaration in 10° steps
99	Optional Special angle

Sensor principle	
7	MH-C
8	MH-C2

Mechanical version		
7972	Standard	Housing ø79mm with flange ; 10mm shaft ; IP68 & IP69K
7978	Optional	Housing ø79mm with flange ; Driving disc mounted ; IP68 & IP69K
7999	Optional	Special housing ; Special shaft

	MH-C	MH-C2
Custom shaft design	X	X
Custom modification of the housing	X	X
Custom electrical connection	X	X
Sample rate in fast mode	X	X
Switch functions TTL (max. 2)	X	X
Special characteristic curve	-	X
Special electrical angle within 30° to 360° (ex factory)	X	X
Electrical angle programmable (Software)	-	X
Start & end point settable (Additional connector pins)	-	X
Sense of rotation CW/CCW settable / programmable (Addit. connector pins or Software)	-	X
Index point settable / programmable (Additional connector pins or Software)	-	X
Immision magnetic field up to 10'000 A/m (additional shielded)	X	X

Options (on request)

Errors and omissions excepted. Subject to change without notice. / State: 29.04.16

Contelec AG
Portstrasse 38
CH-2503 Biel/Bienne
Phone +41 (0)32 3665600
Telefax +41 (0)32 3665604
sales@contelec.ch

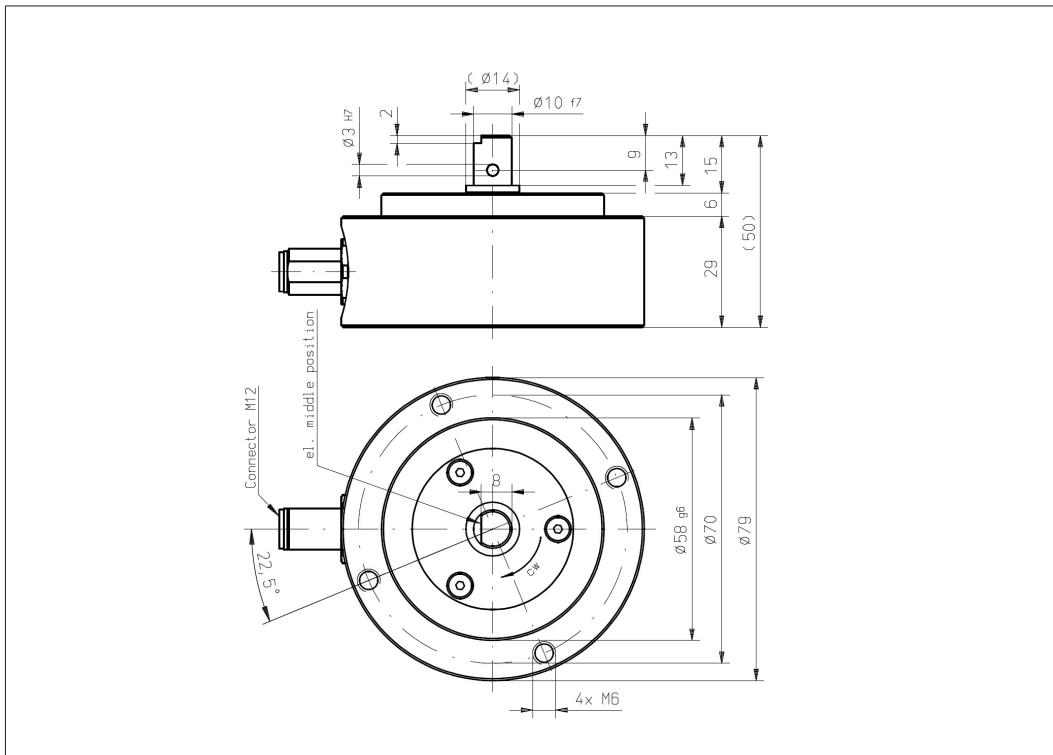
CONTELEC
A company of the Siedle-Group



Vert-X 7972

Accessories (incl.)

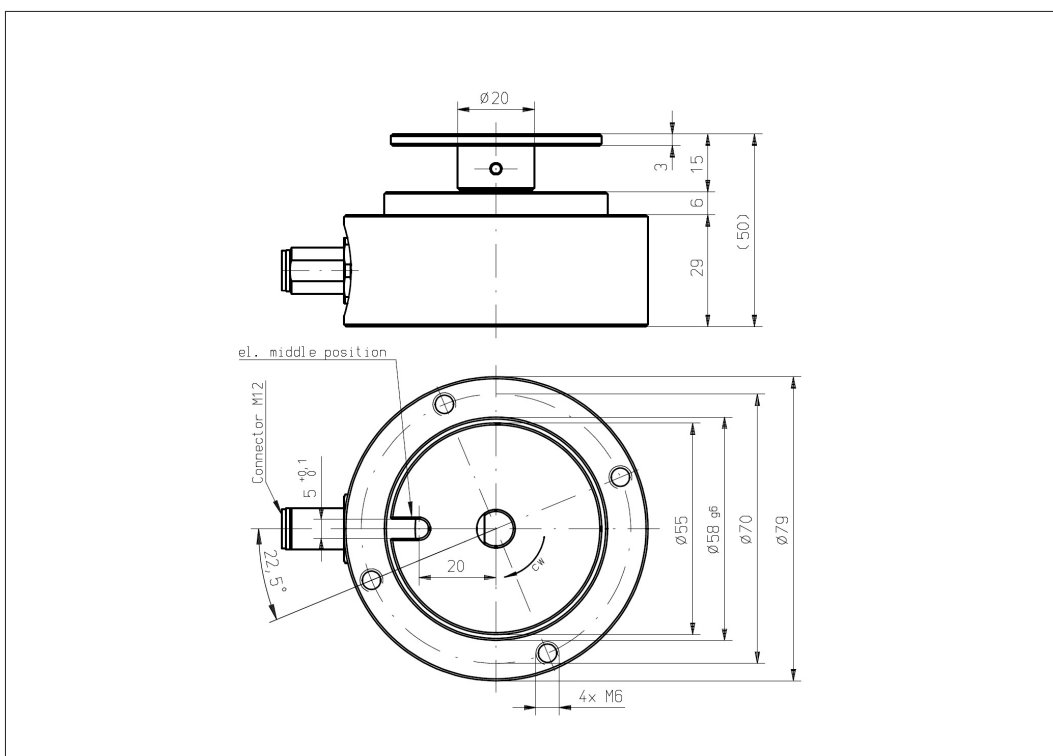
- None



Vert-X 7978

Accessories (incl.)

- Driving disc (mounted)



Errors and omissions excepted. Subject to change without notice. / State: 29.04.16

Contelec AG
 Portstrasse 38
 CH-2503 Biel/Bienne
 Phone +41 (0)32 3665600
 Telefax +41 (0)32 3665604
 sales@contelec.ch

CONTELEC
 A company of the Siedle-Group