




Vert-X 79 - 24V / CANopen, redundant

Applications

- Heavy load transporter
- Construction machines
- Forest machines
- Special purpose vehicles

Features

- CiA approved  CIA201003-301V402/20-0116
- Very robust design
- Contactless measuring method
- Long life
- High accuracy of measurement
- Applications under adverse ambient conditions possible (humidity, dampness, dust, vibrations etc.)
- Developed according to the principles of functional safety

Sensor principle		MH-C2
Electrical data		
Measuring range	°	0 ... 360
Indep. linearity	% of meas. range	±0.1
Max. hysteresis	°	0.1
Resolution	bit	16
Max. repeatability	°	0.1
Sample rate	kHz	0.5
Max. temperature coefficient of the output signal	ppm/K	25
MTTFd / MTBF	years	135 / 135
Power supply voltage	VDC	8 ... 35
Current consumption without bus load (typ.)	mA	30
Reverse polarity protection of power supply		yes
Electrical connection		Connector M12-m
Bus interface		ISO/DIS 11898-2
CANopen communication according to CiA		Standard DS-301 Rev. 4.02
Device profile		DS-406, Rev. 3.1, Encoder class C2
Default Node-ID's		16 & 17 (programmable 1 ... 127)
Default bitrate	kBit/s	125
Mechanical data		
Mechanical range	°	360 (continuous)
Protection class		IP68 / IP69K
Max. starting torque at specified protection class	Ncm	5
Max. rotating speed	rpm	3000
Min. life	movements	360 Mio.
Max. permitted axial shaft load	N	300
Max. permitted radial shaft load	N	300
Operating & storage temperature	°C	-40 ... +85
EN 60068-2-6 Vibration (Amax = 0.75mm, f = 5...2000Hz)	g	20
EN 60068-2-27 Shock	g	50
Standards		
EN 55022 class B, Emission radiated (30...230MHz)	dB(µV/m)	max. 30
EN 55022 class B, Emission radiated (230...1000MHz)	dB(µV/m)	max. 37
EN 55022 class B, Emission conducted (0.15...0.5MHz)	dB(µV)	max. 56 ... 46
EN 55022 class B, Emission conducted (0.5...5MHz)	dB(µV)	max. 46
EN 55022 class B, Emission conducted (5...30MHz)	dB(µV)	max. 50
EN 61000-4-2, ESD (contact discharge / air discharge)	kV	±4 / ±8
EN 61000-4-3, Immision HF radiated (80...1000MHz/1.4...2.7GHz) V/m		100
EN 61000-4-4, Burst (on all lines)	kV	±1
EN 61000-4-5, Surge (lines to ground)	kV	±1
EN 61000-4-6, Immision HF conducted (0.15...80MHz)	Vemk	10
EN 61000-4-8, Immision magnetic field (50Hz)	A/m	300
EN 60393-1 Insulation resistance (500VDC, 1bar, 2s)	GOhm	20
EN 60393-1 Dielectric strength (VAC, 50Hz, 1min, 1bar)	kV	1
CANopen conformance certified by CiA	Certificate-#:	CIA201003-301V402/20-0116

Errors and omissions excepted. Subject to change without notice. / State: 29.04.16

Contelec AG
 Portstrasse 38
 CH-2503 Biel/Bienne
 Phone +41 (0)32 3665600
 Telefax +41 (0)32 3665604
 sales@contelec.ch

CONTELEC
 A company of the Siedle-Group



Vert-X 79 - 24V / CANopen, redundant

Ordering code

		CAN characteristics											
		Redundant 1-Bus / CAN-High-In ;	Optional	A									
		CAN-High-Out ; CAN-Low-In ; CAN-Low-Out	Optional	B									
		Redundant 1-Bus / CAN-High ; CAN-Low ; R _{CAN}	Standard	C									
		Redundant 1-Bus / CAN-High ; CAN-Low	Optional	9									
		Special version											
		Output signal				Electrical connection							
		CANopen Encoder Profile 406 (C2)	Standard	3			S	Standard	Connector				
		Power supply voltage				Definition of the connector							
		24VDC	Standard	1			15	Standard	1x Connector 5pole				
								18	Optional	1x Connector 8pole			
Vert-X	7	9	7	2	8	3	6	1	3	C	S	1	5
								Electrical angle					
								36		Standard		Electrical angle 360°	
								Sensor principle					
								8		MH-C2			
								Mechanical version					
		7972	Standard	Housing ø79mm with flange ; 10mm shaft ; IP68 & IP69K									
		7978	Optional	Housing ø79mm with flange ; Driving disc mounted ; IP68 & IP69K									
		7999	Optional	Special housing ; Special shaft									

	MH-C2
Custom shaft design	X
Custom modification of the housing	X
Custom electrical connection	X
CAN integrated bus termination resistor (120Ω) / R _{CAN}	X
Custom bitrate (10 ; 20 ; 50 ; 100 ; 250 ; 500 ; 800 ; 1000 kBit/s)	X
Immision magnetic field up to 10'000 A/m (additional shielded)	X

Options (on request)

Errors and omissions excepted. Subject to change without notice. / State: 29.04.16

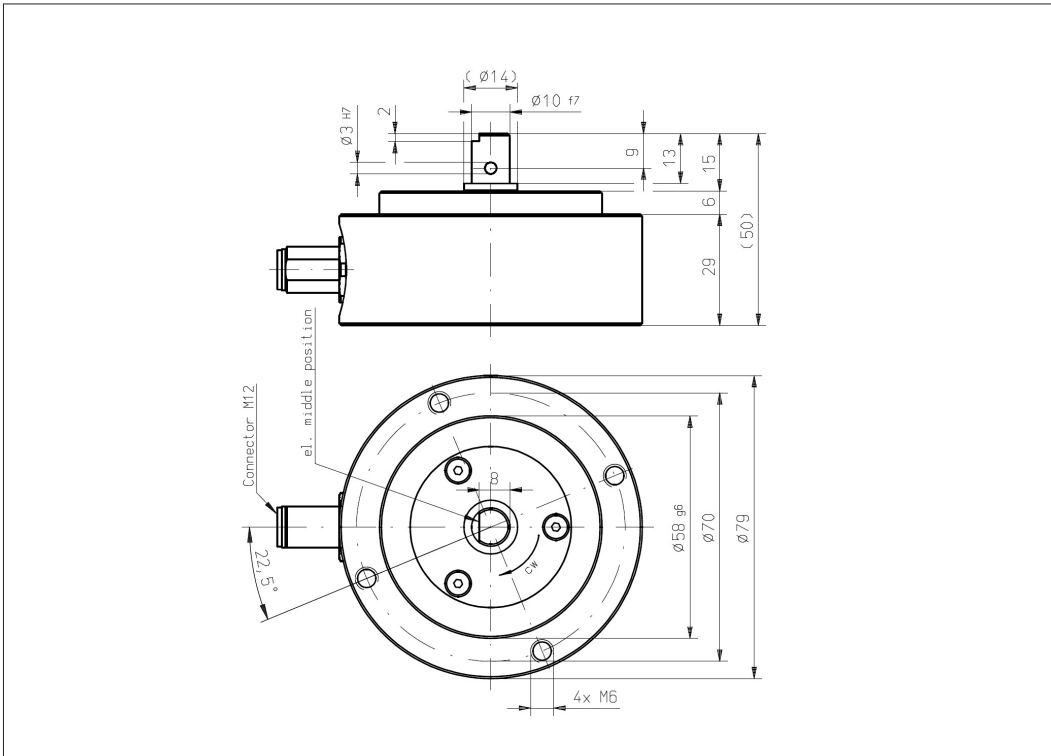
Contelec AG
 Portstrasse 38
 CH-2503 Biel/Bienne
 Phone +41 (0)32 3665600
 Telefax +41 (0)32 3665604
 sales@contelec.ch



Vert-X 7972

Accessories (incl.)

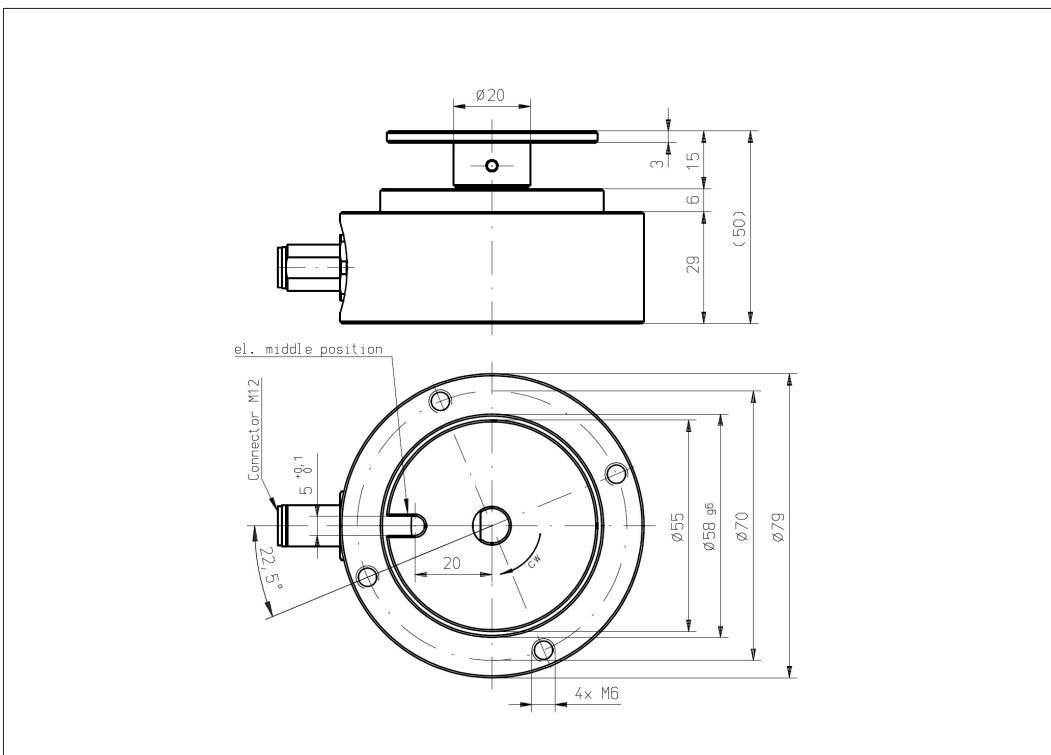
- None



Vert-X 7978

Accessories (incl.)

- Driving disc (mounted)



Errors and omissions excepted. Subject to change without notice. / State: 29.04.16

Contelec AG
 Portstrasse 38
 CH-2503 Biel/Bienne
 Phone +41 (0)32 3665600
 Telefax +41 (0)32 3665604
 sales@contelec.ch

CONTELEC
 A company of the Siedle-Group



Vert-X 79 - 24V / CANopen,
Certificates



Certificate # **CiA201003-301V402/20-0116**

Vendor ID **00 00 00 80**

Manufacturer **Contelec AG**

Device **Vert-X MH-C2 CAN**

Product code: 0001 8774h
Object 1018h/02h

Revision number: 0000 00A1h
Object 1018h/03h

Hardware version: HV30781B
Object 1009h

Software version: SV_1.2.3
Object 100Ah

EDS **MH-C2_CAN.eds**

File version: 1

File revision: 0

EDS version: 4.02

Nuremberg, 26.03.2010

CAN in Automation GmbH

Kontumazgarten 3

90429 Nuremberg

Germany

phone: +49-911-928819-0

fax: +49-911-928819-79

Robert Meier
Technical Manager

CAN in Automation GmbH
Kontumazgarten 3
90429 Nuremberg
Germany
phone: +49-911-928819-0
fax: +49-911-928819-79



Errors and omissions excepted. Subject to
change without notice. / State: 29.04.16

Contelec AG
Portstrasse 38
CH-2503 Biel/Bienne
Phone +41 (0)32 3665600
Telefax +41 (0)32 3665604
sales@contelec.ch

CONTELEC
A company of the Siedle-Group