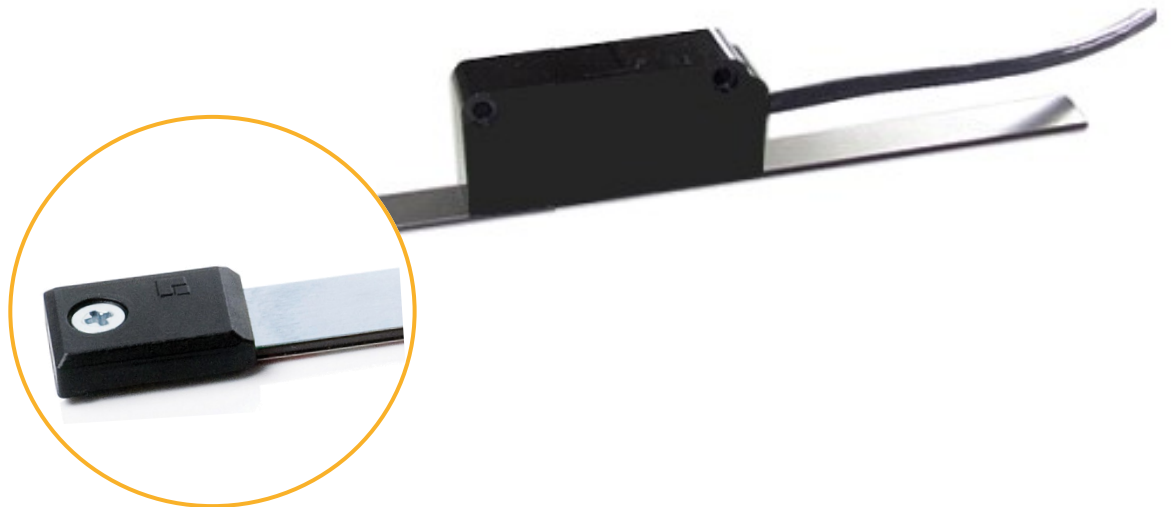


SMIX



Magnetic Length Measuring System

- 0,01 mm resolution
- Push - Pull outputs for MIN/MAX limits

SMIX Magnetic Length Measuring System with 0,01 mm resolution

General: The series SMIX is a Magnetic Length Measuring System. The sensor technology and translator are both placed in housing. The magnetic tape is fixed to a plane base with the provided sticky tape. The SMIX can be installed up to a maximum distance of 2,0 mm.

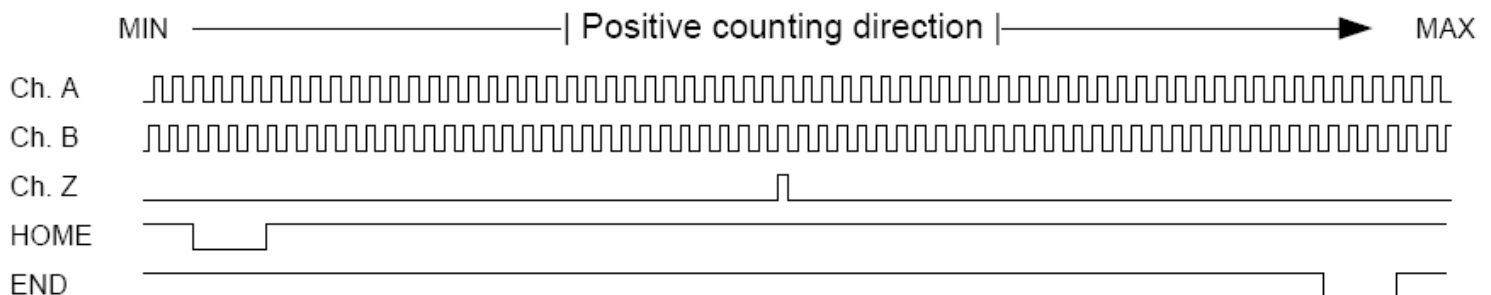
Signal outputs: A, A', B, B', Z, Z' and two push—pull outputs for Min/Max limits.

Product features:

- Direct contactless measurement
- The distance between sensor and measuring tape can vary between 0,1 and 2,0 mm
- Measuring lengths up to 32 m
- High resolution of 0,01 mm
- Repeating accuracy +/- 0,01 mm
- Very robust against pollution



Pulse diagram



-> Supply-Voltage: 24 V (10-30 V)

-> Resolution: 10)m

-> Channel A, /A, B, /B, Z, /Z: 24V-Push-Pull (HTL)

-> Limit Switches: 24V-Push-Pull (HTL) Inverted Logic: active „Low“

Technical specifications:

Nominal voltage	10... 30 VDC
Consumption	10... 30 VDC: max. 150 mA
Signal level	5 V-TTL Line Driver / 10-30 V HTL
Resolution	0,01 mm
Repeating accuracy	+/- 1 Increment
Maximum Operation speed	4 m/s
Signal outputs	A, A', B, B', Z, Z' Push - Pull MIN/MAX
Max. Measuring length	Theoretically no limit
Distance sensor/tape	Max. 2,0 mm
System accuracy in μ m at 20°C	+/- (25 + 20 x L) L= Measuring length in m)
Operation temperature	-10... +70 °C (-25... +85 °C) on request
Storage temperature	-25... +85 °C
Humidity	Non condensing, max. 80%
Protection class	IP67
Dimensions sensor	SMIX-Housing: 50 x 25 x 12 mm
Cable	
Length	Max. 30,0 m
Weight	Cores: 10 x 0,14 mm ²
Bend radius	Min. 60 mm

Order reference:

For orders please use the following order code:

SMIX -

A A A - B B B - C C C C - D D - E

- A SN-Number**
000 ELGO Standard
001 First special version
- B Signal cable length (XX.X Meter)**
- C Resolution**
0010 0,01 mm
- D Supply / Output level**
00 10-30 VDC / 10-30 VDC
01 10-30 VDC / 5V-TTL line driver
11 5 VDC / 5V-TTL line driver
- E End Limit / Logic**
00 10 - 30 VDC / Logic not inverted (active at „HIGH“)
01 10 - 30 VDC / Logic inverted (active at „LOW“)
10 5 VDC / Logic not inverted (active at „HIGH“)
11 5 VDC / Logic inverted (active at „LOW“)

Example:
SMIX - 000 - 01.5 - 0010 - 01 - 11
A A A - B B . B - C C C C - D D - E E

SMIX ELGO standard, with 1,5 meter signal cable length, a resolution about 0,01 mm, 10-30 VDC / 5 V-TTL line driver supply / output level, end limit 5VDC / Logic inverted.

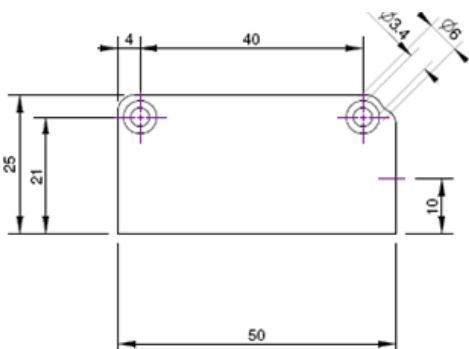
Your order:
SMIX -

A A A - B B B - C C C C - D D - E E

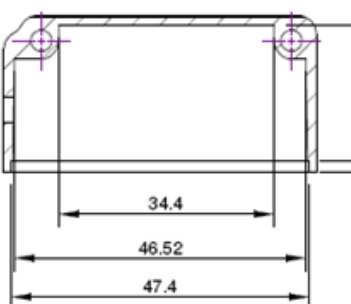
Dimensions:

Housing:

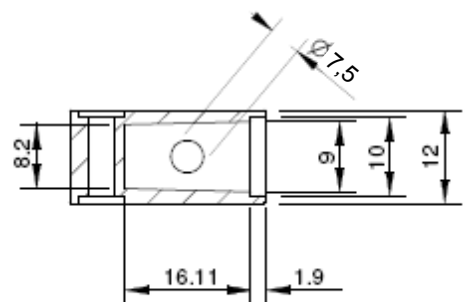
Front view:



Back view:



Side view:



Accessories:

MB20-50-10-2-R-SNXXX

Magnetic tape for SMIX

Magnetic tape fixation pieces (10 mm)

Additional fixation in the radial and linear area to protect the tape ends

