

Z50

INDICATE



Universal 1 axis position indicator

- Connection to incremental and absolute Measuring Systems
- Actual Value Memory
- 7-digit LCD-Display, digit height 10 mm
- 2 digital Inputs
- Serial Interface

Z50 Universal 1-axis position indicator

General: With the 1-axis universal position indicator an all-purpose indicator has been realized. All ELGO measuring systems can be connected with this indicator no matter what signal needs to be processed (incremental or absolute). The indicator also comes equipped with an RS232 interface. The function and parameter menu is clearly laid out. It is clearly structured and easy to use.

The new Snap-In mounting allows an easy and quick installation in the defined panel cut out on the front side.

Applications: The versatile universal display can be used where distances, lengths, angles and speeds have to be measured. When used in woodworking machines typical applications are: backstops and rip fences on saws or depth measurement in drilling and grinding machines.

Features:

- 7-digit LCD-display
- Signs
- Special signs (f. e. degree, inch and millimeter display)
- 2 external inputs
- Easy mounting
- Off-set-function
- Switch-over between incremental and absolute measurement
- Switch-over between millimeter, inch and degree mode
- Actual value memory
- Adjustable reference value
- Adjustable pulse factor
- Adjustable edge evaluation

ELGO measuring systems compatible to Z50:

Every incremental and absolute measuring system by ELGO. Small extract from our product range. For more information, visit www.elgo.de.

Incremental measuring systems:



Absolute measuring systems:



Technical specifications:

Position Indicator Z50-000

LCD display	7 decades (digit height 14 mm) With sign and measurement units
Measuring unit	mm, m, Inch, RPM or °
Perspective	12 o'clock
Keyboard	Foil with soft keys
Measurement	linear or rotative
Power supply	+24 VDC +/- 20%
Power consumption (without measuring system)	50 mA with 24 VDC
Max. current load for sensor connection	300 mA
Operating temperature	0 ... + 50°C
Storage temperature	-20 ... +80 °C
Humidity	max. 80 %, non-condensing
Housing	Norm panel housing, ABS plastic, black
Housing dimensions	L x H x D = 96 x 72 x 31 mm (without seal) L x H x D = 98 x 74 x 31 mm (with seal)
Installation depth	27 mm
Front panel cut out	B x H = 93 x 67 mm
Protection class front	IP 54 (when installed with sealing) IP 43 (when installed without sealing)
Protection class back	IP 40

Order reference:

For orders, please use the following order code:

Z50 - $\bar{A} \bar{A} \bar{A} - \bar{B} \bar{B} \bar{B} - \bar{C}$

A SN-Number

000 ELGO Standard

001 First special version

B Power supply

024 24 VDC

C Signal input

0 A, B 24 VDC / 24V-HTL

2 A, A', B, B', Z, Z' 24 VDC / 5V-TTL

3 A, A', B, B', Z, Z' 5 VDC / 5V-TTL

5 EMAX/FMAX (RS422)

6 A, B 5 VDC / 5V-TTL

For example:

Z50 - 0 0 0 - 0 2 4 - 0
A A A - B B B - C

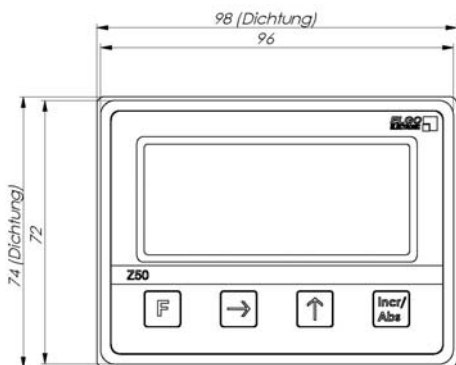
Z50 ELGO standard, with 24 VDC power supply and A, B signal input.

Your order:

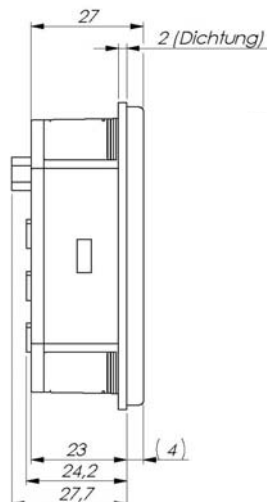
Z50 - $\bar{A} \bar{A} \bar{A} - \bar{B} \bar{B} \bar{B} - \bar{C}$

Dimensions:

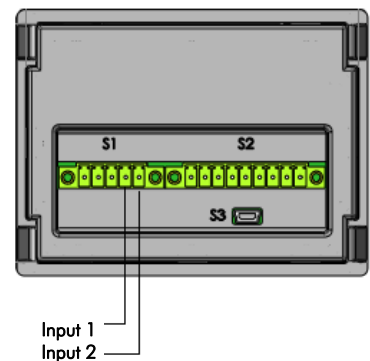
Front view



Side view



Connectors



Doc.-No. 799000561
Z50-E_02-11

Subject to modifications - © 2011 - ELGO Electronic GmbH & Co. KG

ELGO Electronic GmbH & Co. KG
Measure - Control - Position
Carl - Benz - Straße 1, D-78239 Rielasingen
Fon: +49 (7731) 9339-0, Fax: +49 (7731) 28803
Internet: www.elgo.de. Mail: info@elgo.de

