



Vert-X 13E - 5V / SPI

Applications

- Servodrives
- Insetting machines
- Sewer inspection robots
- Medical applications

Features

- High protection class IP68
- Very compact dimensions
- Non-contacting measuring method
- Very long life
- High accuracy of measurement
- Use in cramped installation conditions
- Full resolution and accuracy at programmed electrical angle

Sensor principle		MH-C	MH-C2
Electrical data			
Measuring range	°	0 ... 360	-
Indep. linearity (without misalignment)	% of meas. range	±0.3	-
Indep. linearity (with allowed misalignment @ 360°)	% of meas. range	±0.5	-
Max. hysteresis	°	0.1	-
Resolution	bit	14	-
Max. repeatability	°	0.1	-
Sample rate fast mode	kHz	2.2	-
Sample rate slow mode	kHz	(0.55)	-
System propagation delay fast mode	µs	400	-
System propagation delay slow mode	µs	(600)	-
Max. temperature coefficient of the output signal	ppm/°K	25	-
MTTFd / MTBF	years	668/668	-
Power supply voltage	VDC	5 (±10%)	-
Current consumption without load (typ.) fast mode	mA	14	-
Current consumption without load (typ.) slow mode	mA	(9)	-
Min. ohmic load at output	kOhm	-	-
Max. capacitive load at output	nF	-	-
Reverse polarity protection of power supply		yes	-
Electrical connection axial		Wires (3x)	-
Cross section of single wires	mm ²	0.25 (AWG24)	-
Electrical connection radial		Cable 3pole	-
Cross section of single wires	mm ²	0.25 (AWG24)	-
Redundancy feasible		no	-
Mechanical data			
Mechanical range	°	360 (continuous)	-
Protection class		IP68	-
Min. life	movements	no limitation	-
Operating & storage temperature (with ribbon cable)	°C	-40 ... +105	-
Operating & storage temperature (with round cable)	°C	-40 ... +85	-
IEC 68-2-6 Vibration (Amax = 0.75mm, f = 5 ... 2000 Hz)	g	50	-
IEC 68-2-27 Shock	g	200	-
Standards			
EN 55022 classe B, Emission radiated (30... 230 MHz)	dB(µV/m)	max. 30	-
EN 55022 classe B, Emission radiated (230...1000MHz)	dB(µV/m)	max. 37	-
EN 61000-4-2, ESD (contact discharge / air discharge)	kV	±4 / ±8	-
EN 61000-4-3, Immission HF radiated (80... 1000 MHz)	V/m	100	-
EN 61000-4-4, Burst (on all lines)	kV	±1	-
EN 61000-4-5, Surge (lines to ground)	kV	±1	-
EN 61000-4-6, Immission HF conducted (0.15...80MHz)	Vemk	10	-
EN 61000-4-8, Immission magnetic field (50Hz)	A/m	300	-
IEC 60393-1 Insulation resistance (500VDC, 1bar, 2s)	GOhm	20	-
IEC 60393-1 Dielectric strength (VAC, 50Hz, 1min, 1bar)	kV	1	-

Errors and omissions excepted. Subject to change without notice. State: 23.05.14

Contelec AG
 Portstrasse 38
 CH-2503 Biel/Bienne
 Phone +41 (0)32 3665600
 Telefax +41 (0)32 3665604
 sales@contelec.ch

CONTELEC
 A company of the Siedle-Group



Vert-X 13E - 5V / SPI
Ordering code

		Output characteristics				Electrical connection / axial													
		Positive gradient CW	Standard	1			1	Standard	Ribbon cable 6pole										
		Positive gradient CCW	Optional	2			9	Optional	Special cable										
		Redundant, positive gradient CW	Optional	3			Electrical connection / radial												
		Redundant, positive gradient CCW	Optional	4			6	Standard	Round cable 6pole										
		Redundant, crossed signal curves	Optional	5			9	Optional	Special cable										
		Output signal				Length of ribbon cable													
		SPI	Standard	8			01	Optional	10cm										
		Power supply voltage						02	Standard	20cm									
		5VDC	Standard	2			03	Optional	30cm										
								04	Optional	40cm									
								05	Optional	50cm									
								99	Optional	Special length									
								Length of cable											
								02	Standard	1.0m									
								06	Optional	3.0m									
								10	Optional	5.0m									
								99	Optional	Special length									
Vert-X	1	3	E	3	7	3	6	2	8	1	1	0	2						
												Electrical angle							
												36		Standard	Electrical angle 360°				
												xx		Optional	03 to 35; Declaration in 10° steps				
												99		Optional	Special angle				
														Sensor principle					
														7		MH-C			
																Mechanical version			
																13E3		Standard	Servo mount ; magnetic actuator type 3
																13E9		Optional	Special housing ; special magnetic actuator

	MH-C	MH-C2
Custom magnetic actuator	X	-
Custom modification of the housing	X	-
Custom cable / wires	X	-
Sample rate in slow mode	X	-
Switch functions TTL (max. 2)	-	-
Special characteristic curve	-	-
Special electrical angle within 30° to 360° (ex factory)	X	-
Electrical angle programmable (Software)	-	-
Start & end point settable (Additional wires)	-	-
Sense of rotation CW/CCW settable / programmable (Additional wires or Software)	-	-
Index point settable / programmable (Additional wires or Software)	-	-

Options (on request)

Errors and omissions excepted. Subject to change without notice. State: 23.05.14

Contelec AG
 Portstrasse 38
 CH-2503 Biel/Bienne
 Phone +41 (0)32 3665600
 Telefax +41 (0)32 3665604
 sales@contelec.ch

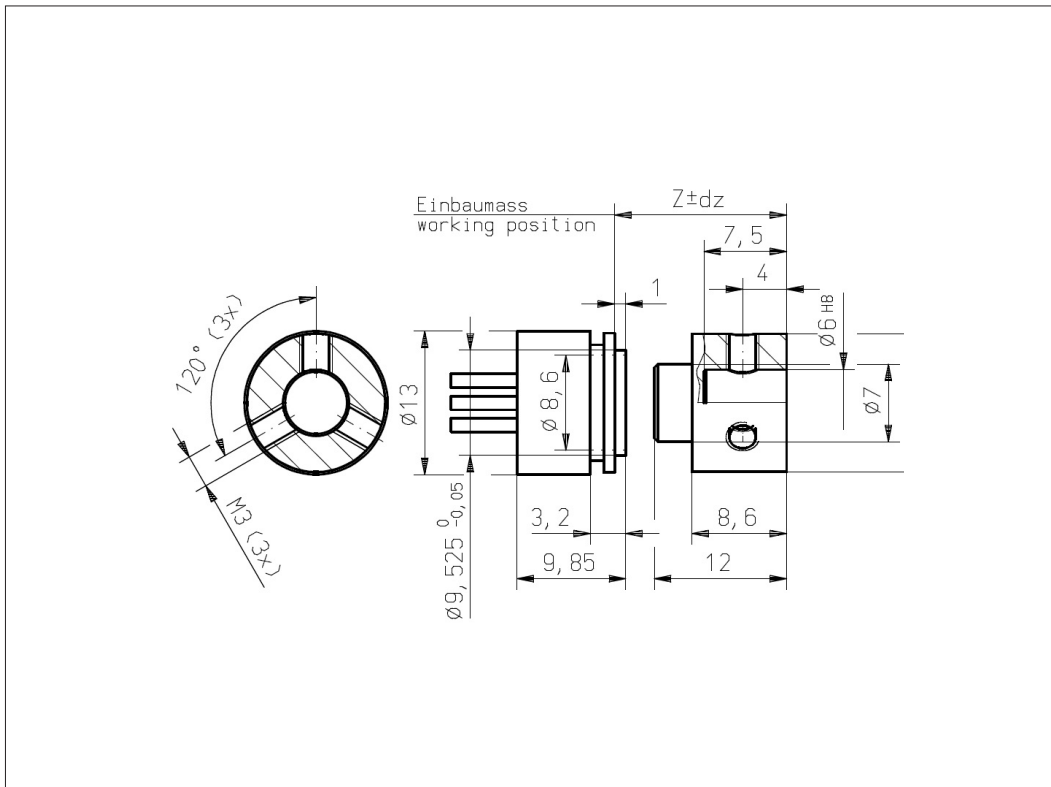


Vert-X 13E3 xxx xxx 1xx

Accessoires (incl.)

- 1x Fixation clip
- 2x Slotted cylinder head screw M3x8

Working position (Z) and max. permitted misalignment of the magnetic actuator
see mounting information

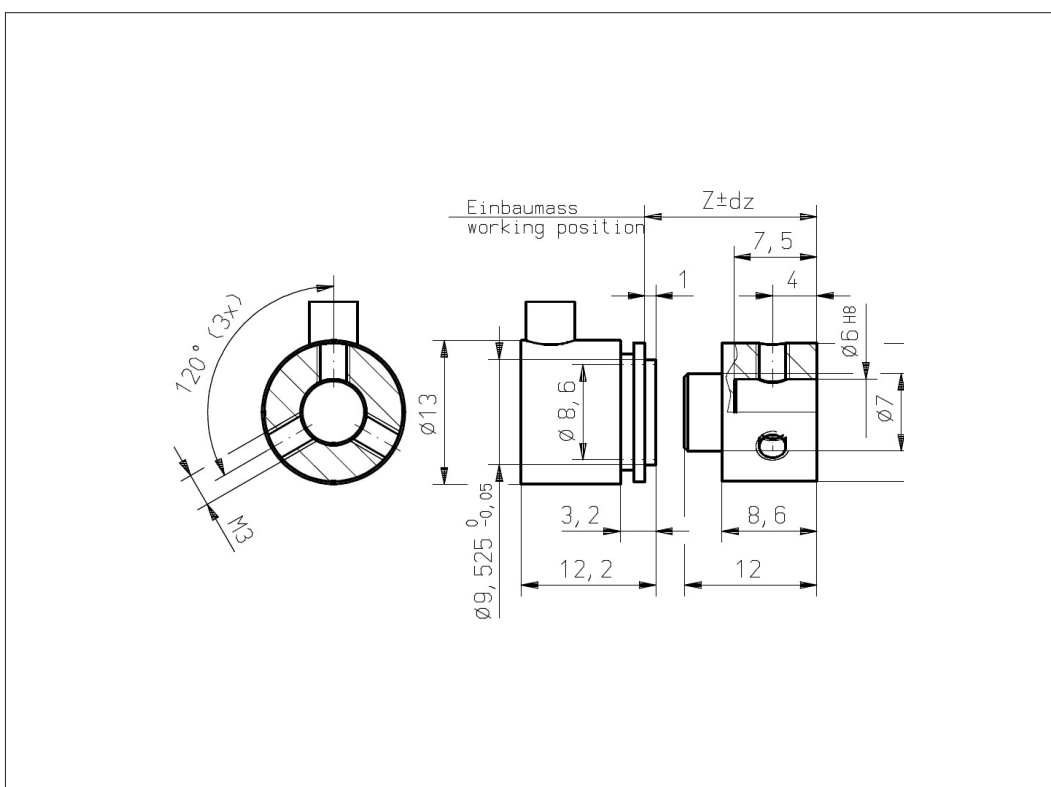


Vert-X 13E3 xxx xxx 6xx

Accessoires (incl.)

- 1x Fixation clip
- 2x Slotted cylinder head screw M3x8

Working position (Z) and max. permitted misalignment of the magnetic actuator
see mounting information



Errors and omissions excepted. Subject to change without notice. State: 23.05.14

Contelec AG
Portstrasse 38
CH-2503 Biel/Bienne
Phone +41 (0)32 3665600
Telefax +41 (0)32 3665604
sales@contelec.ch

CONTELEC
A company of the Siedle-Group



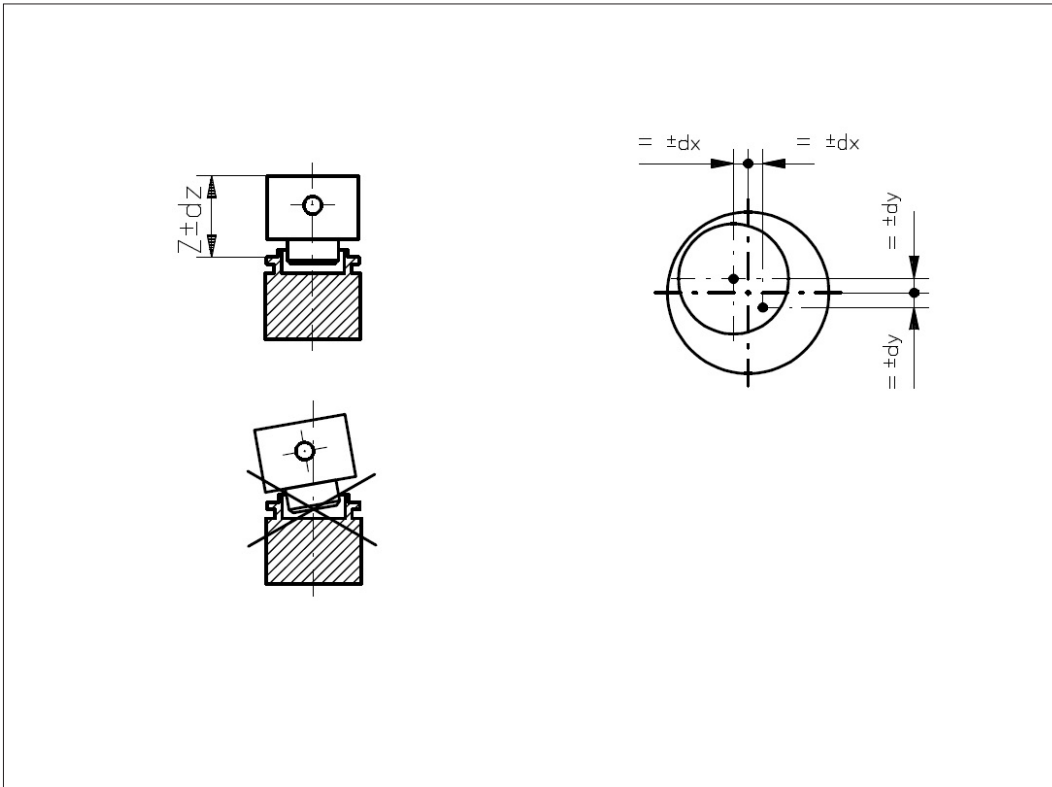
Vert-X 13E
Mounting information

Working position (Z)

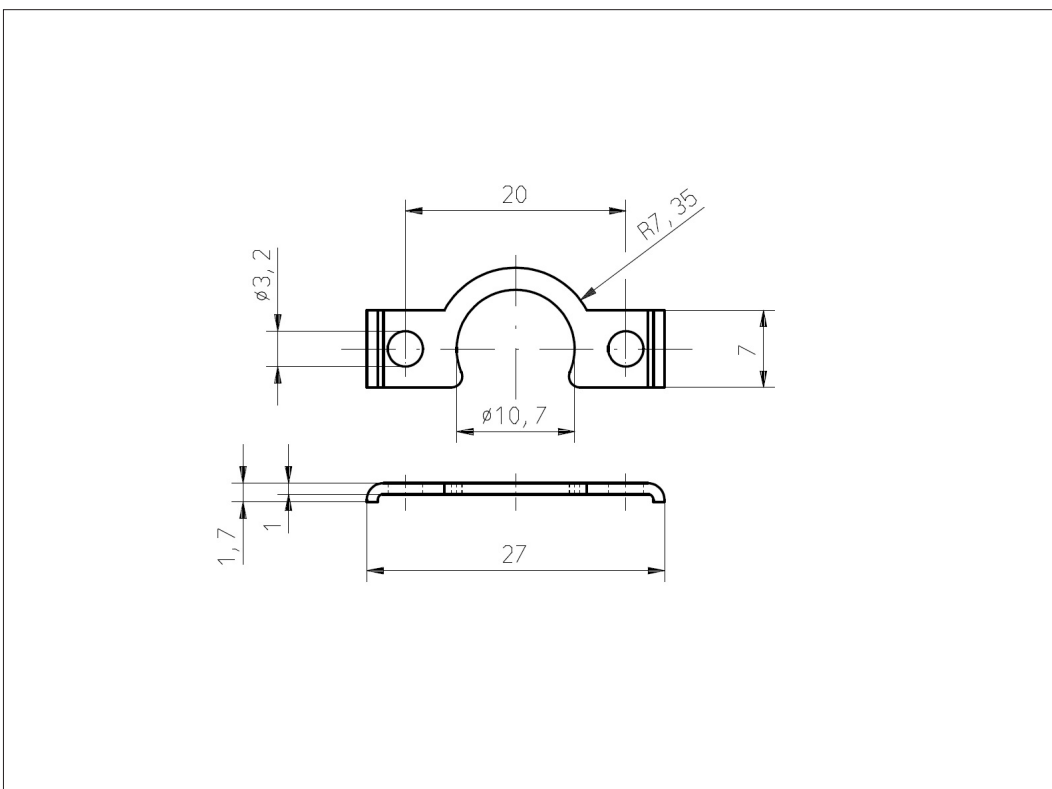
MH-C	11.05mm
MH-C redundant	10.55mm

**Max. permitted misalign-
ment of the magnetic
actuator**

dx	±0.25mm
dy	±0.25mm
dz	±0.50mm



Vert-X 13E
Accessoires
Fixation clip



Errors and omissions excepted. Subject to change without notice. State: 23.05.14

Contelec AG
Portstrasse 38
CH-2503 Biel/Bienne
Phone +41 (0)32 3665600
Telefax +41 (0)32 3665604
sales@contelec.ch